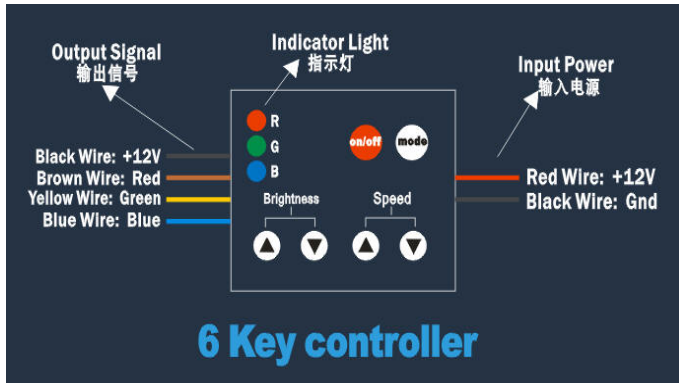
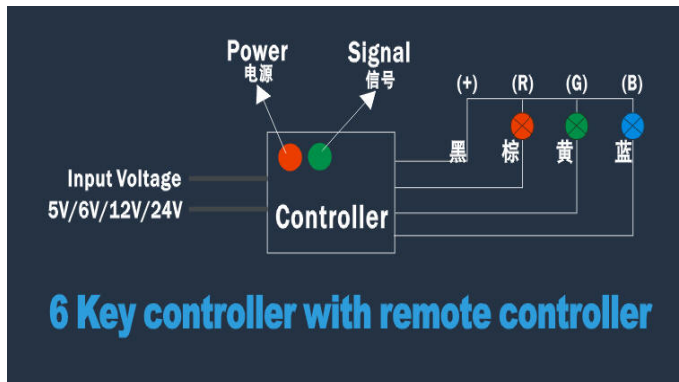


Item No.	Specification
TSL-RC001	Input: 12V/DC Operation temperature: -20 ~ 60 Celsius deg. Size: 105 x 75 x 29 mm Current (Max.): 6A / line Control mode: total 11 type



Item No.	Specification
TSL-RC002	Input: 5V/DC, 6V/DC, 12V/DC, 24V/DC Operation temperature: -20 ~ 60 Celsius deg. Size: 95 x 66 x 26 mm Remote control distance: 1,000 meters



Item No.	Specification
TSL-RC003	Input: 5V/DC, 6V/DC, 12V/DC, 24V/DC Operation temperature: -20 ~ 60 Celsius deg. Size: 72 x 38 x 25 mm Current (Max.): 6A / line
<div style="display: flex; justify-content: space-between;"> <div data-bbox="181 398 868 779"> </div> <div data-bbox="895 398 1477 779"> </div> </div>	

Item No.	Specification
TSL-RC004	Input: 12V/DC Operation temperature: -20 ~ 60 Celsius deg. Size: 84 x 65 x 25 mm Current (Max.): 4A / line
<div style="display: flex; justify-content: space-between;"> <div data-bbox="150 1149 834 1527"> </div> <div data-bbox="861 1149 1444 1527"> </div> </div>	

Item No.	Specification
TSL-RC005	Input: 5V/DC, 6V/DC, 12V/DC, 24V/DC Operation temperature: -20 ~ 60 Celsius deg. Size: 72 x 38 x 25 mm Remote control distance: 1,000 meters

