

Product features and usage introduction

Characteristics of the LED Fluorescent:compared to the traditional Fluorescent,the LED Fluorescent's advantages are:

- 1.the supper brightness,high Coloration index and no need of ballast:
- 2.The super longevity working time are 50000-100000hrs,as long as ten more times of the ordinary fluorescent;free of maintainment;no frequent replacement of fluorescent,Ballast;
- 3.Unique LED electrical light source and electric circuit design,which can save energy for 50%-70%;
- 4.Green enviroment semiconductor light source;soft illumination,pire spectrum,and on clazzled light.The illuminating light of the LED fluorescent is close to natural light as 98%,good for workers' vision and health.The 6000K chilly light source gives people a sense of fresh and cool,which is useful for workers to concentrate and improve efficiency,adding the different illimination in work and non-work place.



LED T5 tube light

TSL-T5 series is energy saving and long life product, available in standard length and color temperature, made by SMD LEDs, Alumium type circuit board.

Item No	Voltage	Color temperature	LED Q'ty	Power	Lumen	Size	Weight
T5-28CM-3W	110V/AC 230V/AC 50~60Hz	6500K 4200K 3300K	51pcs	3W	255lm	Φ16×288mm	120g
T5-55CM-7W			112pcs	7W	560lm	Φ16×550mm	180g
T5-85CM-11W			168pcs	11W	840lm	Φ16×850mm	250g
T5-120CM-14W			216pcs	14W	1000lm	Φ16×1150mm	330g



Frosted Tube

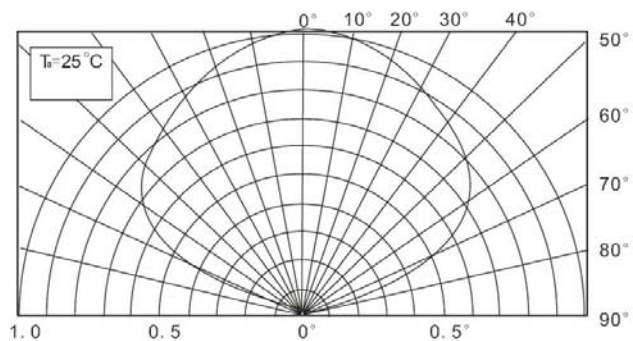


Transparent Tube

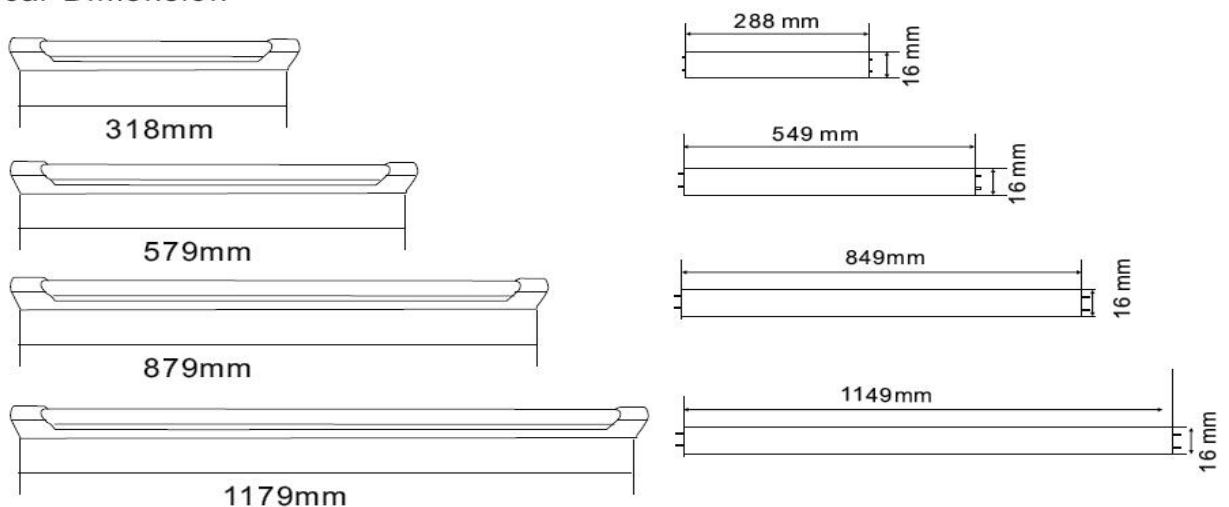
Applications:

- Under counter lighting
- Uninterrupted emergency lighting
- Focused reading and task lighting
- Interior design uses
- Retail store displays
- Closet illumination
- Cove lighting
- Vehicle lighting applications
- Concealed accent lighting

Candle Power Distribution Curve



Physical Dimension



LED T8 tube light

TSL-T8 series is energy saving and long life product, available in standard length and color temperature, made by SMD LEDs, Alumium type circuit board, standard light output & high light output provide.

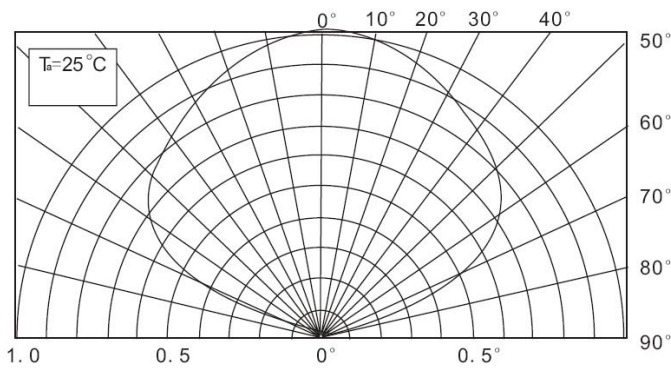
Item No	Voltage	Color temperature	LED Q'ty	Power	Lumen	Size	Weight
T8-S60CM-10W	110V/AC	6500K	100pcs	10W	650lm	Φ26×600mm	260g
T8-H60CM-10W					850lm		
T8-S120CM-18W	230V/AC	4200K	200pcs	18W	1200lm	Φ26×1200mm	520g
T8-H120CM-18W					1600lm		
T8-S150CM-22W	50~60Hz	3300K	250pcs	22W	1500lm	Φ26×1500mm	780g
T8-H150CM-22W					1900lm		



Applications:

Replacement for conventional fluorescent tubes.

Candle Power Distribution Curve



Physical Dimension

